

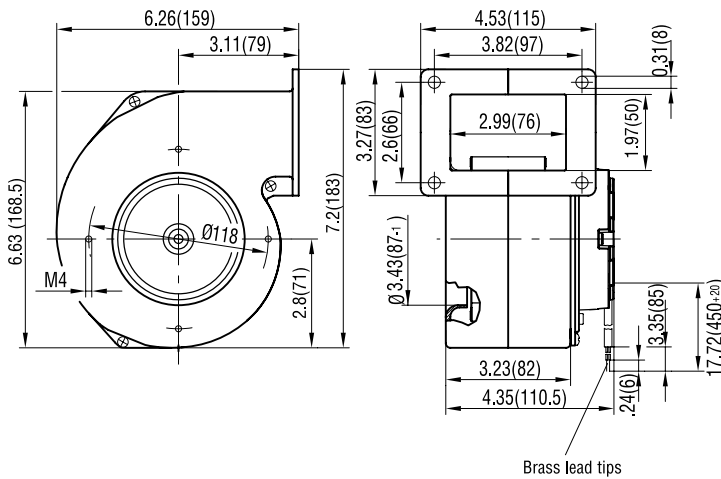
# G3G108 Series Centrifugal Blower

Ø 108mm, EC-i



- AC input, single inlet, forward-curved centrifugal blower with integrated electronics.
- Cable exit: variable
- Housing of die-cast aluminium; impeller of galvanised sheet-steel.
- Variable mounting position.
- Direction of rotation is CW as seen from intake side.
- Maintenance-free ball bearings.
- Technical features: integrated electronics, PWM/Lin input, speed output.
- UL and CSA approvals on request.

Part Number	Curve	CFM @ 0	VAC	Hertz	Power (W)	dBA	Max Amb. Temp. C	Bearing Type	Features	Wgt. (lbs)
G3G108-BB01-02	1	147.1	230	50/60	54	64	60	Ball	Leads	3.64



	n [RPM]	P <sub>1</sub> [W]	η <sub>IL</sub> [%]	Lp <sub>A</sub> [dBA]		n [RPM]	P <sub>1</sub> [W]	η <sub>IL</sub> [%]	Lp <sub>A</sub> [dBA]
1	1 2860	54	—	64	1	9 2150	23	—	56
1	2 3020	48	42	62	1	10 2200	20	42	55
1	3 3220	37	44	60	1	11 2320	16	44	52
1	4 3390	29	32	59	1	12 2390	12	32	50
1	5 2570	38	—	61	1	13 1400	9	—	46
1	6 2660	34	42	60	1	14 1430	8	42	44
1	7 2820	25	44	57	1	15 1490	7	44	40
1	8 2920	19	32	55	1	16 1530	6	32	40

Curve

